



USER'S MANUAL

COAXIAL SPEAKER

**SC-420, SC-520,
SC-652, SC-692**



CONTENT

Introduction	4
Precautions	5
Installation	6
Connection	7
Accessory List	8
Specifications	9

INTRODUCTION

Congratulations on your purchase of FIVE speaker system! FIVE has been engineered, designed and manufactured so you can enjoy quality sound for a long time. For installation of this product we recommend contacting professional installers of car audio. Please read the user's manual carefully and throughout before the installation and the first operation of the product. It is recommended to keep this manual in a safe place for further reference.

PRECAUTIONS



WARNING!

• **Do not operate any function that takes your attention away from safely driving your vehicle.**

Any function that requires your prolonged attention should only be performed after coming to a complete stop. Always stop the vehicle in a safe location before performing these functions. Failure to do so may result in an accident.

• **Keep the volume at a level where you can still hear outside noises while driving.**

Excessive volume levels that obscure sounds such as emergency vehicle sirens or road warning signals (train crossings, etc.) can be dangerous and may result in an accident. Listening at loud volume levels in a car may also cause hearing damage.

• **Do not disassemble or alter.**

Doing so may result in an accident, fire or electric shock.

• **Do not damage pipe or wiring when drilling holes.**

When drilling holes in the chassis for installation, take precautions so as not to contact, damage or obstruct pipes, fuel lines, tanks or electrical wiring. Failure to take such precautions may result in fire.

• **Do not use bolts or nuts in the brake or steering systems to make ground connections.**

Bolts or nuts used for the brake or steering systems (or any other safety-related system), or tanks should NEVER

be used for installations or ground connections. Using such parts could disable control of the vehicle and cause fire etc.

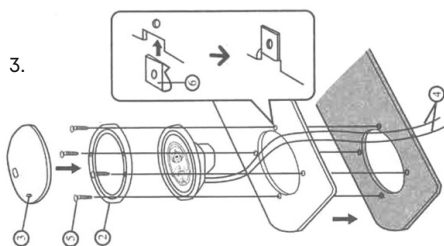
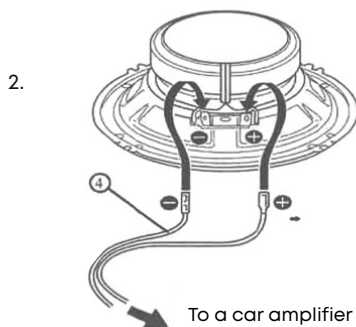
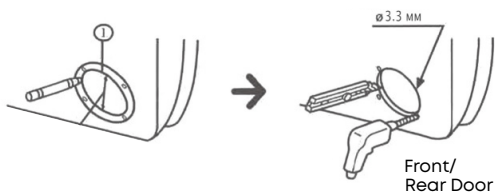
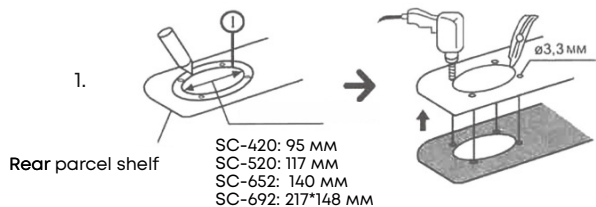
• **Keep small objects such as bolts or screws out of the reach of children.**

Swallowing them may result in serious injury. If swallowed, consult a physician immediately.

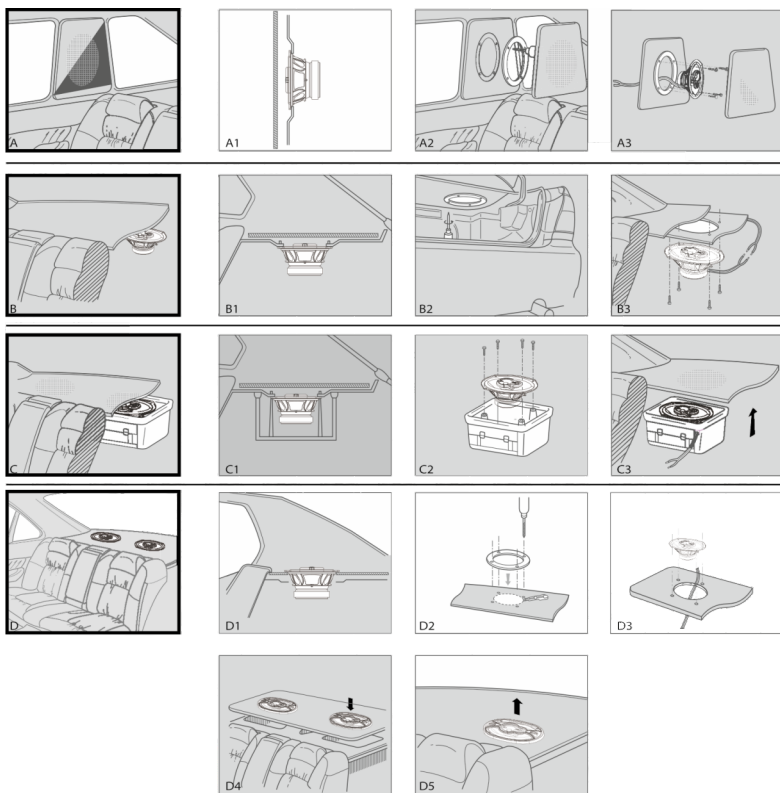
INSTALLATION

Mounting

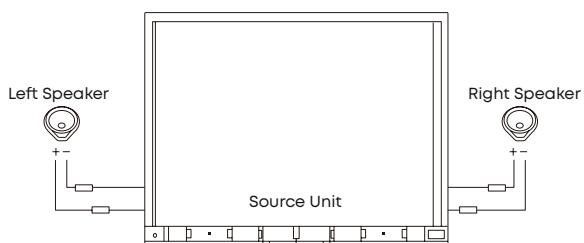
I. Mark the four bolts and drill holes diameter 3.3 mm (on a Fig.1)



CONNECTION



Wire connection of the coaxial speaker system. The source unit is sold separately.



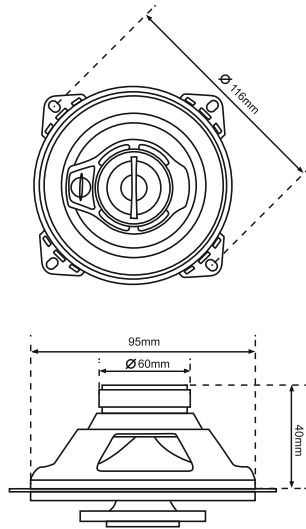
ACCESSORY LIST

- | | |
|------------------|--------|
| 1. Speaker | 1 pair |
| 2. User's manual | 1 pc |
| 3. Speaker Cable | 1 pair |
| 4. Screws | 1 set |

SPECIFICATIONS

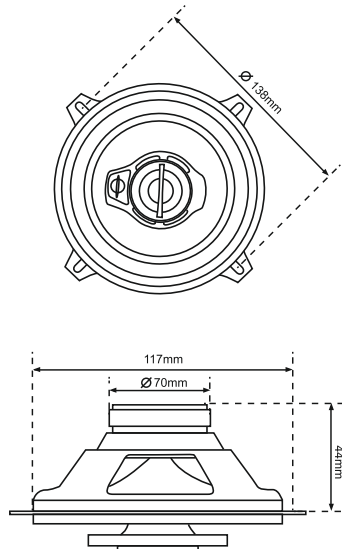
SC-420

4-inch (10.1cm) 2-way coaxial speaker
Paper cone with butyl rubber edge
Stamped steel basket
30mm Mylar tweeter
Frequency response: 80Hz ~20 kHz
Sensitivity: 89dB/W/m
Magnet: $\Phi 60 \times 10$ mm (3.8 oz)
Voice coil: $\Phi 25$ mm KSV
Nominal Impedance: 4 ohms
Rated power (RMS): 30 W
Peak power (PMPO): 100 W
Mounting depth: 43mm (1.7")
Diameter installation hole: 95mm (3.74")



SC-520

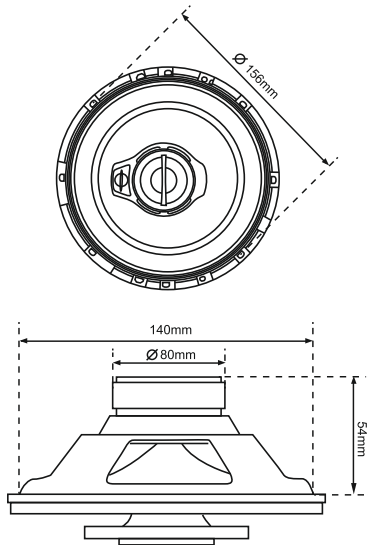
5,25-inch (13.3cm) 2-way coaxial speaker
Paper cone with butyl rubber edge,
Stamped steel basket,
30mm Mylar tweeter,
Frequency response: 75Hz ~ 20 kHz,
Sensitivity: 88dB/W/m
Magnet: $\Phi 70 \times 10$ mm (5.4 oz)
Voice coil: 25mm KSV,
Nominal Impedance: 4 ohms
Rated power (RMS): 50 W
Peak power (PMPO): 150 W
Mounting depth: 44mm (1.73")
Diameter installation hole: 117mm (4.6")



SPECIFICATIONS

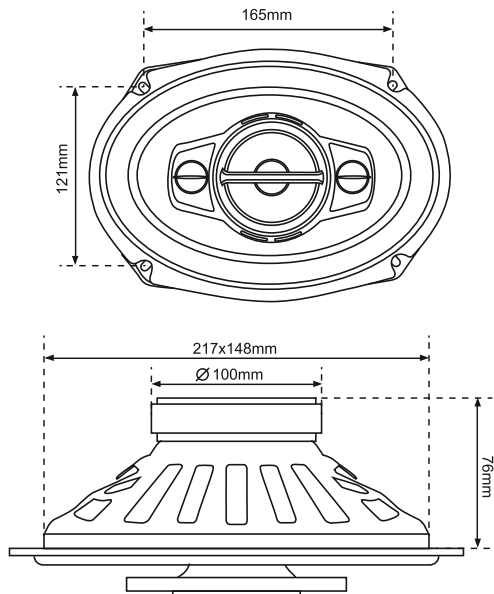
SC-652

6.5-inch (16.5cm) 2-way coaxial speaker
Paper cone with butyl rubber edge,
Stamped steel basket,
30mm Mylar tweeter,
Frequency response: 70Hz ~ 20 kHz,
Sensitivity: 88dB/W/m
Magnet: $\Phi 80 \times 12\text{mm}$ (8 oz)
Voice coil: $\Phi 25\text{mm}$ KSV,
Nominal Impedance: 4 ohms
Rated power (RMS): 80 W
Peak power (PMPO): 240 W
Mounting depth: 54mm (2.1")
Diameter installation hole: 140mm (5.51")



SC-692

6 x 9 (15.2*22.8cm) inches 2-way coaxial speaker
Paper cone with butyl rubber edge,
Stamped steel basket,
58mm Mylar cone midrange,
Frequency response: 65Hz ~ 20 kHz,
Sensitivity: 88dB/W/m
Magnet: $\Phi 100 \times 18\text{mm}$ (18 oz)
Voice coil: $\Phi 25\text{mm}$ KSV
Nominal Impedance: 4 ohms
Rated power (RMS): 100 W
Peak power (P.M.P.O): 300 W
Installation depth: 76mm (3")
Diameter installation hole: 217*148mm
(8.54*5.82")



Safe disposal

Your device is designed and made of high quality materials and components that can be recycled and reused. If the product has a crossed-out wheeled bin symbol, this means that the product complies with European Directive 2002/96 / EC. Check out the local separate collection system for electrical and electronic products. Observe local regulations. Dispose of old devices separately from household waste. Proper disposal of your product will help prevent potential negative consequences for the environment and human health.





"AUTOTEK INDUSTRIAL LIMITED"
1318-19,13/F, HOLLYWOOD PLAZA, 610 NATHAN ROAD, MONGKOK, KOWLOON,
HONG-KONG, CHINA

MADE IN P.R.C.